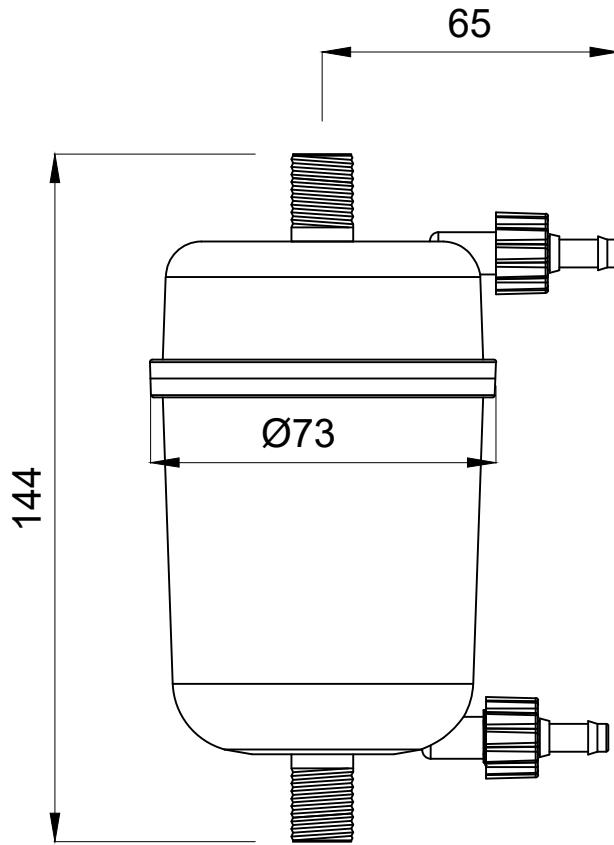


DO NOT SCALE THE DRAWING
ALL DIMENSIONS ARE IN mm



PART	QUANTITY	REF. NO.	DESCRIPTION	MATERIAL	FINISHED SIZE	HARDNESS	REMARK					
REV. NO.	ECN. NO.	DATE	DESCRIPTION	REV. NO.	ECN. NO.	DATE	DESCRIPTION					
mdi Advanced Microdevices Pvt. Ltd. 20, 21, Industrial Area , Ambala Cantt., 133006			SCALE	PROJ.	DATE	SIGN.	TOLERANCE UNLESS SPECIFIED					
5" Capsule Filter With 1/4" MNPT I/O	REV. NO.	FORMAT NO. 5	NONE				1Dec.PI	2Dec.PI	3Dec.PI	4Dec.PI		
					DRAWN			C	A±0.100	A±0.050	A±0.025	A±0.010
					DESIGNED			T	A±0.050	A±0.025	A±0.010	A±0.000
					CHECKED			S				
APPROVED				ANGLE	A±2Å°	A±2Å°	A±2Å°	A±2Å°	A±2Å°			
TOOL No.		COMP. No.		STORE No.		SHEET 1 OF 1						